



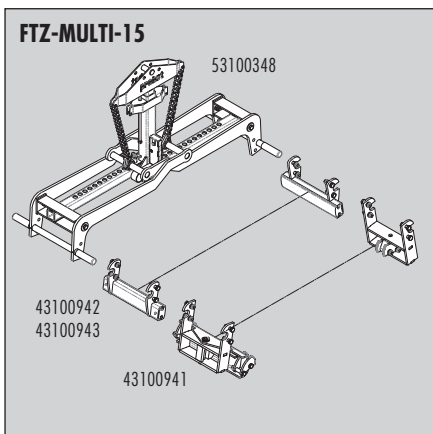
FTZ-UNI-15



FTZ-UNI-50



FTZ-MULTI-15



FTZ-MULTI-15

53100348

43100942
43100943

43100941

Grab for Prefabricated Concrete Products FTZ

FTZ-I: special compact clamp for laying heavy granit kerbs

FTZ-BB: designed kerb stones with high concave section for bus stops („Kassel Kerb“),

FTZ-UNI: Universal clamp for all kind of pre-cast elements

Standard equipped:

- ▷ Gripping width adjustment by spring loaded bolt. Bolt can not get lost.
- ▷ Suspension bolt for lifting device.
- ▷ Automatic release for fully automatic switch over from „full“ to „empty“.
- ▷ Exchangeable rubber grippers

* NEW

Type	Gripping Range* W mm (in)	Inside Height E mm (in)	Gripper Length L mm (in)	Carrying Capacity kg (lbs)	Dead Weight kg (lbs)	Order-Number
FTZ-I[Ⓞ]	50 – 520 (2 – 20 1/2")	170 (6 3/4")	420 (16 1/2")	900 (2,000)	55 (120)	5310.0120
FTZ-BB[Ⓞ]	50 – 480 (2 – 19")	290 (11 1/2")	420 (16 1/2")	900 (2,000)	55 (120)	5310.0202
FTZ-GBA[Ⓞ]	150 (6")	255 (10")	1200 (47 1/4")	2.600 (5,700)	120 (265)	5310.0356
FTZ-UNI-15[Ⓞ]	0 – 750 (0 – 29 1/2")	255 (10")	420 (16 1/2")	1.500 (3,300)	85 (185)	5310.0256
FTZ-UNI-25[Ⓞ]	0 – 750 (0 – 29 1/2")	255 (10")	420 (16 1/2")	2.500 (5,500)	115 (255)	5310.0313
* FTZ-MAXI-25[Ⓞ]	200 – 1.200 (8 – 47")	255 (10")	420 (16 1/2")	2.500 (5,500)	130 (285)	5310.0344
* FTZ-UNI-50[Ⓞ]	0 – 850 (0 – 33 1/2")	200 (8")	720 (28 1/4")	5.000 (11,000)	245 (540)	5310.0362
FTZ-MAXI-40[Ⓞ]	400 – 1.250 (15 3/4 – 49")	240 (9 1/2")	720 (28 1/4")	4.000 (8,800)	260 (570)	5310.0316

Grab for Prefabricated Concrete Products FTZ-MULTI

Innovative, mechanical grab. Appropriate clamp configurations for versatile applications from a modular construction system. Same features as per FTZ-I/UNI.

▷ The individual modules are available separately and hence a huge range of applications can be covered at a reasonable price (base body + 3 sets of grippers cover the entire spectrum!)

▷ Extraordinary large gripping range, thus suitable for gripping nearly all kind of standard concrete elements and natural stones.

▷ **FTZ-MULTI-15:** Basic unit without grippers

▷ **WB-G-42:** Large gripping range, short rubber grippers - preferably suitable for handling of single elements.

▷ **WB-SQ:** Special interlocking steelfinger grippers allow for safe installation of roughly-cut ashlar rocks.

▷ **WB-G-120:** Large gripping range, large rubber grippers - preferably suitable for handling of full layers, such as one layer of kerb stones etc.

Components for Optional Clamp Configuration

Type	Gripping Range* W mm (in)	Inside Height E mm (in)	Gripper Length L mm (in)	Carrying Capacity kg (lbs)	Dead Weight kg (lbs)	Order-Number
FTZ-MULTI-15[Ⓞ]				1.500 (3,300)	96 (210)	5310.0348
FTZ-MULTI-15- WB-G-42[Ⓞ] (pair)	200 – 1.250 (8 – 49")	255 (10")	420 (16 1/2")		14 (30)	4310.0942
FTZ-MULTI-15- WB-G-120[Ⓞ] (pair)	200 – 1.250 (8 – 49")	255 (10")	1.200 (47")		46 (100)	4310.0943
FTZ-MULTI-15- WB-SQ[Ⓞ] (pair)	200 – 1.200 (8 – 47")	300 (12")			33 (75)	4310.0941

Accessories

Adapter for Kassel Kerb Stone A-FTZ-KB[Ⓞ] for FTZ-UNI-15 to extend gripping depth on one side to 290 mm	4310.0575
Adjustable Height Stop HVA-FTZ/TSZ[Ⓞ] for all versions of FTZ-UNI/MAXI/MULTI and TSZ-UNI Adjustable range approx. 140 - 255 mm. Adjustable range FTZ-UNI/MAXI-15 and FTZ-UNI-25 approx. 120 - 255 mm. FTZ-UNI-40 approx. 55 - 155 mm. FTZ-MAXI-40 approx. 55 - 195 mm.	4310.0867

*Gripping range indicates the minimum and maximum pack measurements of building materials, which can be picked-up with this grab.

Ⓞ Durable surface protection by galvanizing